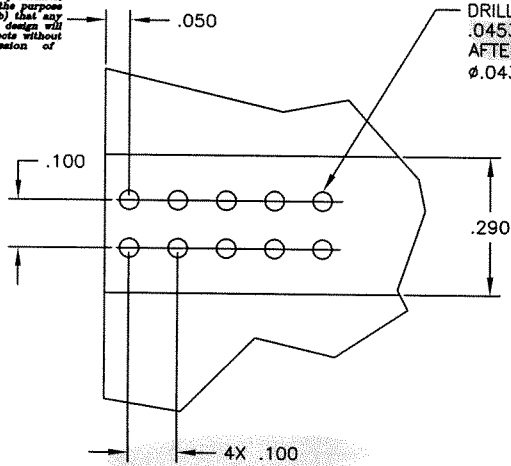
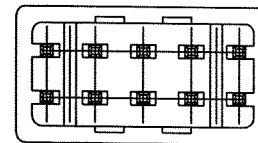
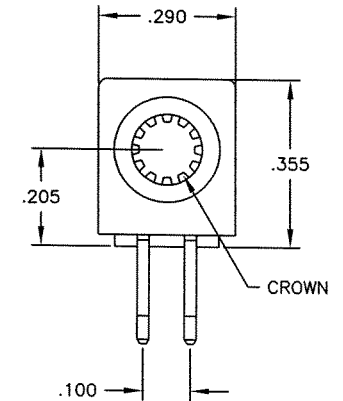
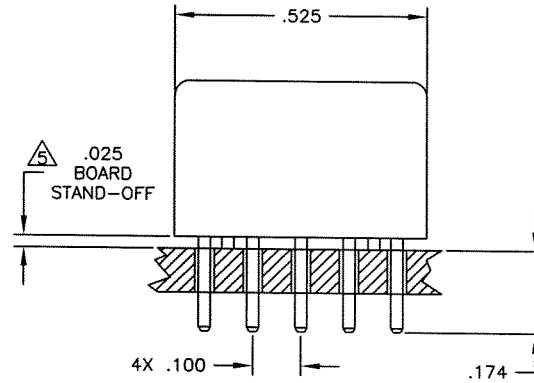
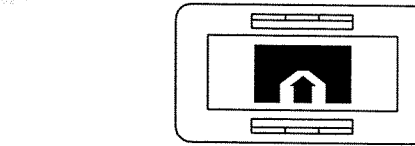


This drawing involves proprietary design rights of Tyco Electronics Corporation, and all design, manufacture, reproduction, use and sale rights regarding the same are expressly reserved. It is submitted for a specific purpose and the recipient by accepting this drawing, assumes custody and control and agrees to take reasonable precautions: (a) that this drawing will not be copied and reproduced in whole or in part, or its contents revealed in any manner, or to any person except to meet the purpose for which it was delivered and (b) that any special features peculiar to this design will not be incorporated in other projects without the expressed written permission of Tyco Electronics Corporation.



DRILLED HOLE DIAMETER
 $.0453 \pm .001$
 AFTER PLATING
 $\phi.043/.037 \ 10X$



6. REFERENCE TYCO PART NUMBER 6643229-1

△ A FIVE-POUND (5lb) FORCES REQUIRED TO CORRECTLY SEAT THE CONNECTOR WITH PLATED THRU HOLES LESS THEN $\phi.040$ INCH.

4. FINISH:

CROWN - GOLD PLATED
 CROWN HOLDER - SILVER PLATED

3. MATERIAL:

INSULATOR - POLYESTER, GLASS FILLED, UL 94 V-0 RATED COLOR-BLACK
 CROWN - BECU
 CROWN HOLDER - PHOSPHOR BRONZE

2. ITEMS PROVIDED TO THIS SPECIFICATION SHALL BE IDENTIFIED ON CONTAINER WITH THE FOLLOWING INFORMATION PART NUMBER AND DATE CODE OF MANUFACTURE.

1. PART NUMBER CHANGES AND/OR DESIGN CHANGES AFFECTING ITEM INTERCHANGEABILITY REQUIRE PRIOR TYCO APPROVAL AND AUTHORIZATION BY REVISION TO THIS DRAWING.

NOTES: UNLESS OTHERWISE SPECIFIED

REVISIONS			
EC	REV	DESCRIPTION	DATE
	A	NEW RELEASE	08.01.05

INCH OR INCH (MM) THIRD ANGLE PROJECTION UNLESS OTHERWISE SPECIFIED DIMENSIONS ARE IN INCHES (METRIC) TOLERANCES ANGLES $\pm .5^\circ$ DECIMALS .XXX \pm .XX $\pm .02$	DRAWN LOVATO	DATE 08.01.05	 Tyco Electronics Corporation Menlo Park, Ca 94025 	TITLE CONNECTOR SOCKET PARALLEL, SOLDER .100 X .100 SPACING SLIMLINE ICCON	SIZE B	DWG NUMBER C= 6643229	REV. A
	CHECKED						
	APPROVED						
	APPROVED						
DCA APPROVED							
ACAD FILE NUMBER	C6643229A.DWG		DWG SCALE 4=1		SH 1 OF 1		